

AC-HW

Cable clamp for fastening to C profile rails

The HF cable clamp AC-HW with full-surface pressure trough made of galvanised steel and plastic half troughs made of polystyrene can route fibre-optic/high-frequency cables with a maximum diameter of 1 5/8 inches. It is suitable for attachment to profile rails C+ and C60° with a slot width of 18/22 mm. We provide components in various materials and surface finishes to ensure that various requirements for different areas of application are met.

steel, zinc plated

Products	D	H _{max}	B	D	cables	W
20 AC-HW	17 mm	53 mm	20 mm	1/2 Zoll	1	0,042 kg
32 AC-HW	29 mm	68 mm	32 mm	7/8 Zoll	1	0,080 kg
44 AC-HW	39 mm	83 mm	44 mm	1 1/4 Zoll	1	0,126 kg
56 AC-HW	51 mm	106 mm	56 mm	1 5/8 Zoll	1	0,159 kg
20/2 AC-HW	17 mm	73 mm	20 mm	1/2 Zoll	2	0,061 kg
32/2 AC-HW	29 mm	102 mm	32 mm	7/8 Zoll	2	0,129 kg
44/2 AC-HW	39 mm	129 mm	44 mm	1 1/4 Zoll	2	0,201 kg
56/2 AC-HW	51 mm	164 mm	56 mm	1 5/8 Zoll	2	0,252 kg
20/3 AC-HW	17 mm	93 mm	20 mm	1/2 Zoll	3	0,081 kg
32/3 AC-HW	29 mm	136 mm	32 mm	7/8 Zoll	3	0,173 kg
44/3 AC-HW	39 mm	176 mm	44 mm	1 1/4 Zoll	3	0,198 kg

Stainless steel, according to ASTM 304 / BS 304 S 3

Products	D	H _{max}	B	D	cables	W
20 AC-HW-E	17 mm	53 mm	20 mm	1/2 Zoll	1	0,041 kg
32 AC-HW-E	29 mm	68 mm	32 mm	7/8 Zoll	1	0,066 kg
44 AC-HW-E	39 mm	83 mm	44 mm	1 1/4 Zoll	1	0,120 kg
56 AC-HW-E	51 mm	106 mm	56 mm	1 5/8 Zoll	1	0,150 kg
20/2 AC-HW-E	17 mm	73 mm	20 mm	1/2 Zoll	2	0,053 kg

Page 1

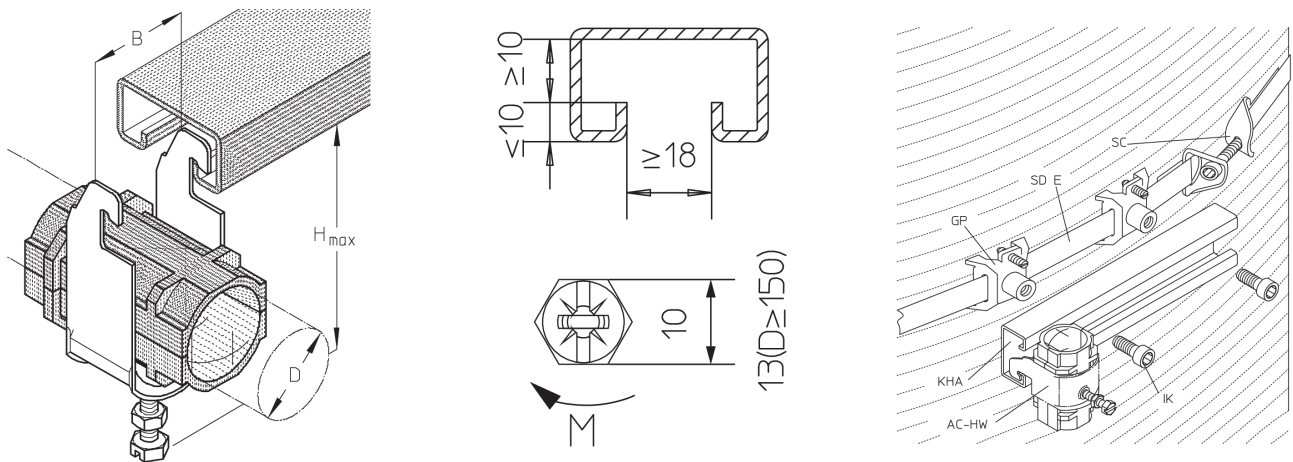


PRODUCT INFORMATION

Products	D	H _{max}	B	D	cables	W
32/2 AC-HW-E	29 mm	102 mm	32 mm	7/8 Zoll	2	0,111 kg
44/2 AC-HW-E	39 mm	129 mm	44 mm	1 1/4 Zoll	2	0,191 kg
32/3 AC-HW-E	29 mm	136 mm	32 mm	7/8 Zoll	3	0,150 kg
44/3 AC-HW-E	39 mm	176 mm	44 mm	1 1/4 Zoll	3	0,260 kg

D: clamping range
H_{max}: maximum height
B: width
D: diameter
cables: max. number of cables
W: Weight per storage unit

DETAIL AND APPLICATION IMAGES



OPTIONAL ACCESSORIES

A 2, A 4, A 7, A 8, A 9, A 41, KHA 21, KHA 41

