

## AC

Cable clamp for fastening to C profile rails, maintenance of function

steel, zinc plated

Products	D	H <sub>max</sub>	cables	M	W
12 AC	8 - 12 mm	41 mm	1	2 Nm	0,024 kg
16 AC	12 - 16 mm	46 mm	1	2 Nm	0,028 kg
20 AC	16 - 20 mm	50 mm	1	2 Nm	0,031 kg
24 AC	20 - 24 mm	54 mm	1	2 Nm	0,036 kg
28 AC	24 - 28 mm	58 mm	1	2 Nm	0,039 kg
32 AC	28 - 32 mm	63 mm	1	2 Nm	0,061 kg
36 AC	32 - 36 mm	67 mm	1	2 Nm	0,064 kg
40 AC	36 - 40 mm	71 mm	1	2 Nm	0,071 kg
44 AC	40 - 44 mm	81 mm	1	4 Nm	0,091 kg
48 AC	44 - 48 mm	85 mm	1	4 Nm	0,091 kg
52 AC	48 - 52 mm	90 mm	1	4 Nm	0,104 kg
56 AC	52 - 56 mm	94 mm	1	4 Nm	0,109 kg
60 AC	56 - 60 mm	98 mm	1	4 Nm	0,141 kg
64 AC	60 - 64 mm	102 mm	1	4 Nm	0,147 kg
70 AC	64 - 70 mm	109 mm	1	4 Nm	0,159 kg
76 AC	70 - 76 mm	113 mm	1	4 Nm	0,221 kg
82 AC	76 - 82 mm	119 mm	1	4 Nm	0,234 kg
88 AC	82 - 88 mm	125 mm	1	4 Nm	0,252 kg
94 AC	88 - 94 mm	131 mm	1	4 Nm	0,279 kg
100 AC	94 - 100 mm	137 mm	1	4 Nm	0,292 kg
110 AC	101 - 110 mm	157 mm	1	4 Nm	0,313 kg

Page 1



# PRODUCT INFORMATION

Products	D	H <sub>max</sub>	cables	M	W
120 AC	111 - 120 mm	167 mm	1	4 Nm	0,333 kg

**D:** clamping range

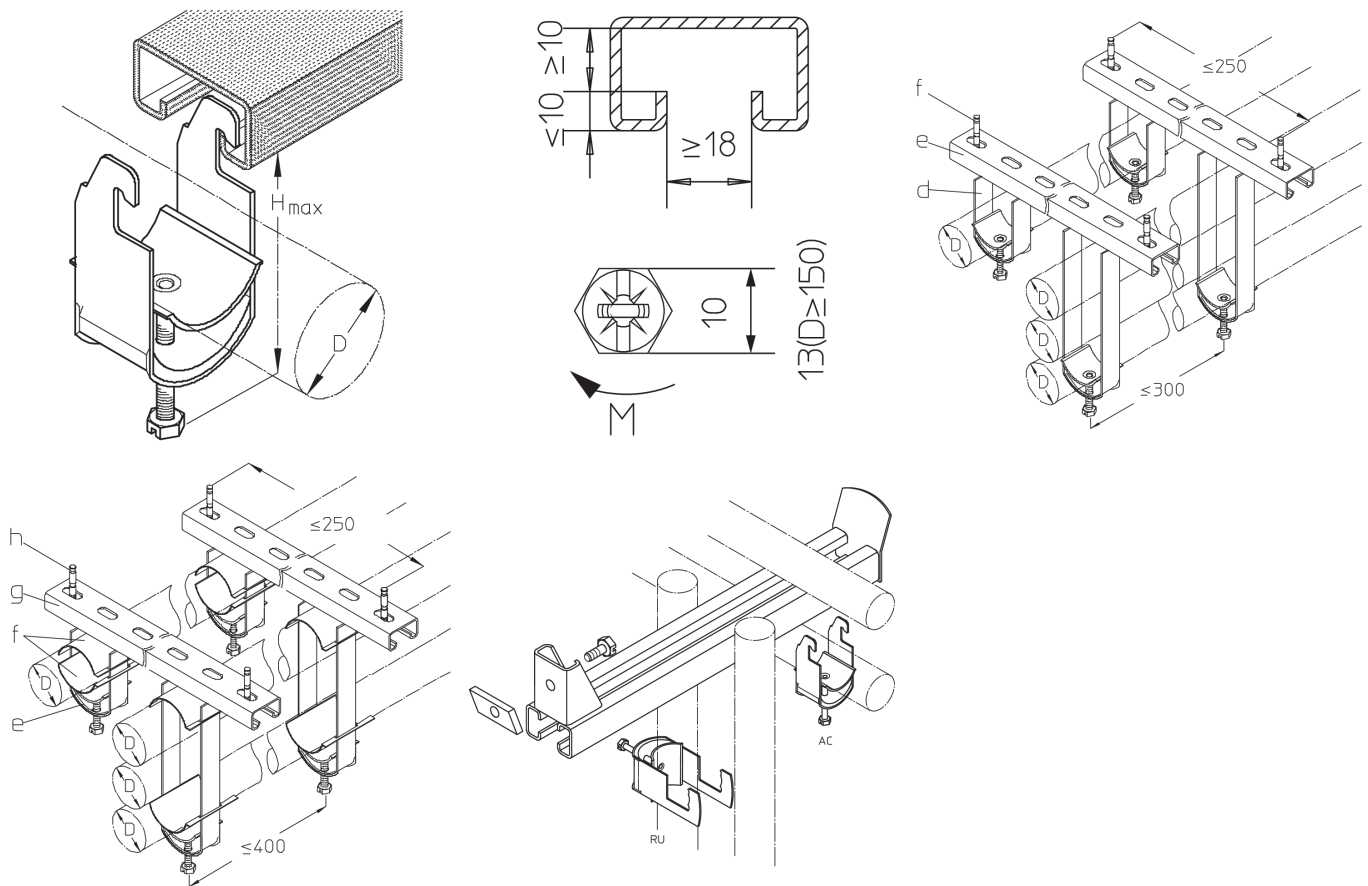
**H<sub>max</sub>:** maximum height

**cables:** max. number of cables

**M:** torque

**W:** Weight per storage unit

## DETAIL AND APPLICATION IMAGES



## OPTIONAL ACCESSORIES

LW





PohlCon GmbH  
Nobelstraße 51 | 12057 Berlin  
Telefon: +49 30 68283-04 | Fax: +49 30 68283-383 | [contact@pohlcon.com](mailto:contact@pohlcon.com)

