

A 9

40x25 mm profile rail, unperforated

The profile rail A 9 is unperforated and consists of a C+ profile 39.5 x 25 mm with a slot width of 18 mm (material thickness = 2.75 mm). We provide components in various materials and surface finishes to ensure that the corrosion requirements are met for all sorts of applications. It is available in lengths of 3000 or 6000 mm.

steel, bright rolled

Products	L	profile height	profile width	t	weight
A 9-30B	3000 mm	25 mm	39,5 mm	2,75 mm	5,950 kg
A 9-60B	6000 mm	25 mm	39,5 mm	2,75 mm	12,522 kg

steel, batch/hot-dip galvanized

Products	L	profile height	profile width	t	weight
A 9-30F	3000 mm	25 mm	39,5 mm	2,75 mm	6,900 kg
A 9-60F	6000 mm	25 mm	39,5 mm	2,75 mm	13,900 kg

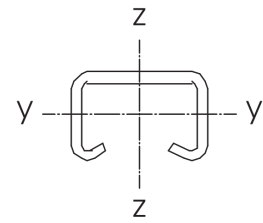
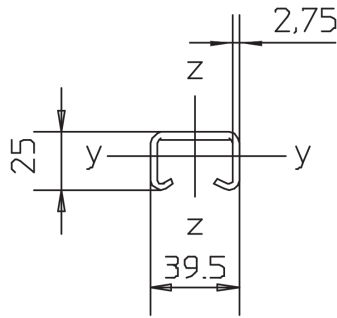
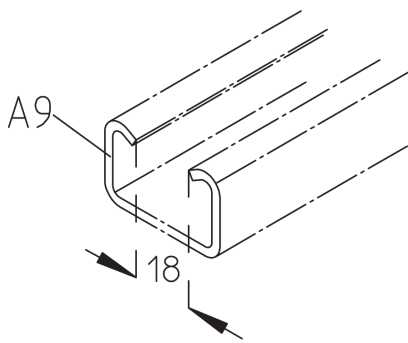
L: length

t: material thickness

DETAIL AND APPLICATION IMAGES



PRODUCT INFORMATION



$$W_y = 1.33 \text{ cm}^3$$
$$W_z = 2.86 \text{ cm}^3$$
$$I_y = 1.97 \text{ cm}^4$$
$$I_z = 5.65 \text{ cm}^4$$

OPTIONAL ACCESSORIES

HS18, AMA 18, ASK 8

