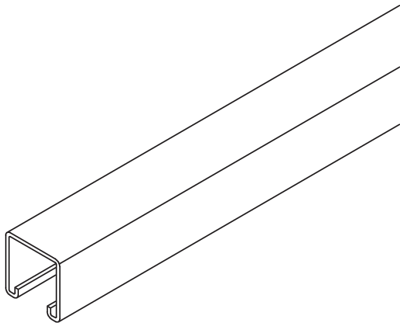


## A 41

41x41 mm profile rail, unperforated

The profile rail A 41 is unperforated and consists of a C+ profile 41 x 41 mm with a slot width of 22 mm (material thickness = 2.5 mm). We provide components in various materials and surface finishes to ensure that the corrosion requirements are met for all sorts of applications. It is available in lengths of 3000 or 6000 mm.



steel, bright rolled

Products	L	profile height	profile width	t	weight
A 41-30B	3000 mm	41 mm	41 mm	2,50 mm	8,200 kg
A 41-60B	6000 mm	41 mm	41 mm	2,50 mm	15,618 kg

steel, batch/hot-dip galvanized

Products	L	profile height	profile width	t	weight
A 41-30F	3000 mm	41 mm	41 mm	2,50 mm	8,300 kg
A 41-60F	6000 mm	41 mm	41 mm	2,50 mm	16,630 kg

L: length

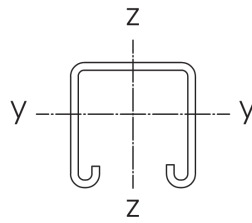
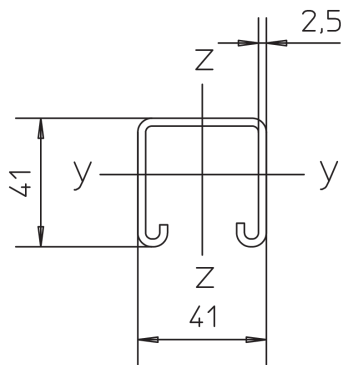
t: material thickness

## DETAIL AND APPLICATION IMAGES



# PRODUCT INFORMATION

---



$$W = 3.19 \text{ cm}^3$$
$$W_y = 4.50 \text{ cm}^3$$
$$W_z = 4.50 \text{ cm}^3$$
$$I_y = 7.31 \text{ cm}^4$$
$$I_z = 9.22 \text{ cm}^4$$

## OPTIONAL ACCESSORIES

SA 2, SAI 41, AM 22, AMF 22, AV

